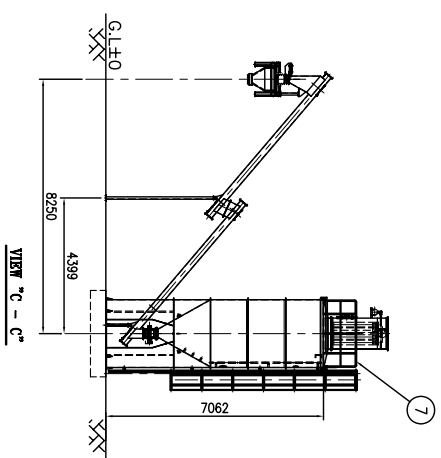
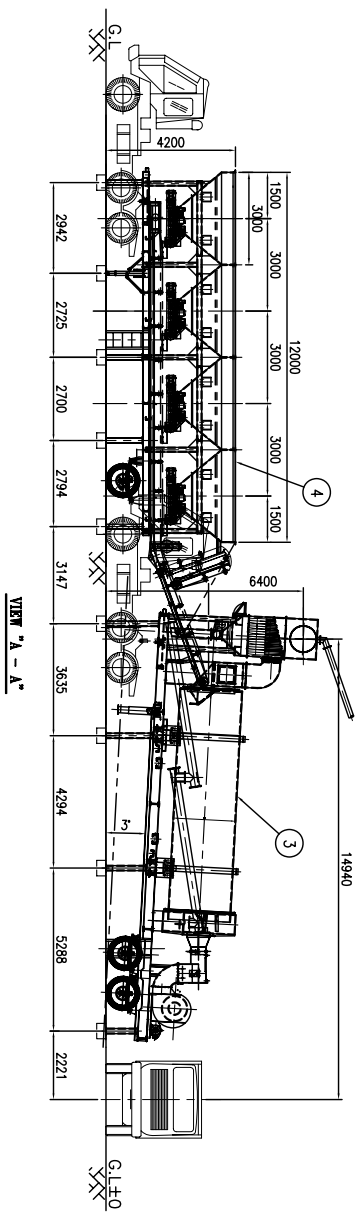


REFERENCE ONLY



NOTE
THIS SPECIFICATION CAN BE CHANGE BY REQUEST
OF USER AND TO IMPROVE QUALITY

2. MAIN TRAILER MOVING HEIGHT : 4200mm~5100mm

본 도면은 주시원사 설계부의 차질시도본
무단 복제 및 임의의 사용을 금합니다.

| GENERAL TOLERANCE | RANGE | OVER 1 | 4 | 16 | 63 | 250 | 1000 | NO. |
|-------------------|-------|--------|------|------|------|------|------|-----|
| | TO | 4 | 16 | 63 | 250 | 1000 | 2000 | |
| | ±0.1 | ±0.2 | ±0.3 | ±0.5 | ±0.8 | ±1.2 | | |

| DESCRIPTION | DATE | DRAW | APPR | REMARKS |
|-------------|------|------|------|---------|
| | | | | |

| NO. | DESCRIPTION | MATERIAL | QTY | WEIGHT | REMARKS |
|-----|----------------------|----------|-----|--------|---------|
| 1 | MAIN FRAME | | 1 | | |
| 2 | HOT ELEVATOR | | 1 | | |
| 3 | DRYER | | 1 | | |
| 4 | COLD BIN | | 1 | | |
| 5 | BAG FILTER | | 1 | | |
| 6 | OPERATION ROOM | | 1 | | |
| 7 | FILLER SILO | | 1 | | |
| 8 | DUST SILO | | 1 | | |
| 9 | ASPHALT OIL TANK | | 2 | | |
| 10 | DIESEL FUEL TANK | | 1 | | |
| 11 | HOT OIL HEATER | | 1 | | |
| 12 | TROLLEY | | 1 | | |
| 13 | SNIP | | 1 | | |
| 14 | HOT MIX STORAGE SILO | | 1 | | |

| APPR | DESCRIPTION | MATERIAL | QTY | WEIGHT | REMARKS |
|------|-------------|----------|-----|--------|---------|
| | | | | | |

| CHECK | MODEL | TITLE | PROJ. ANGLE |
|-------|-----------|------------------|-------------|
| | TSW-1550P | ASPHALT PLANT | |
| | | ARRANGEMENT DWG. | |

| DESIGN | DATE | SCALE | DWG. NO. | REV. |
|--------|----------|-------|--------------------|------|
| | 06.02.10 | 1/120 | PAC08602-4R15P-000 | |